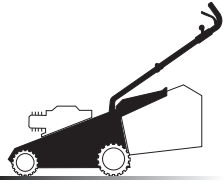
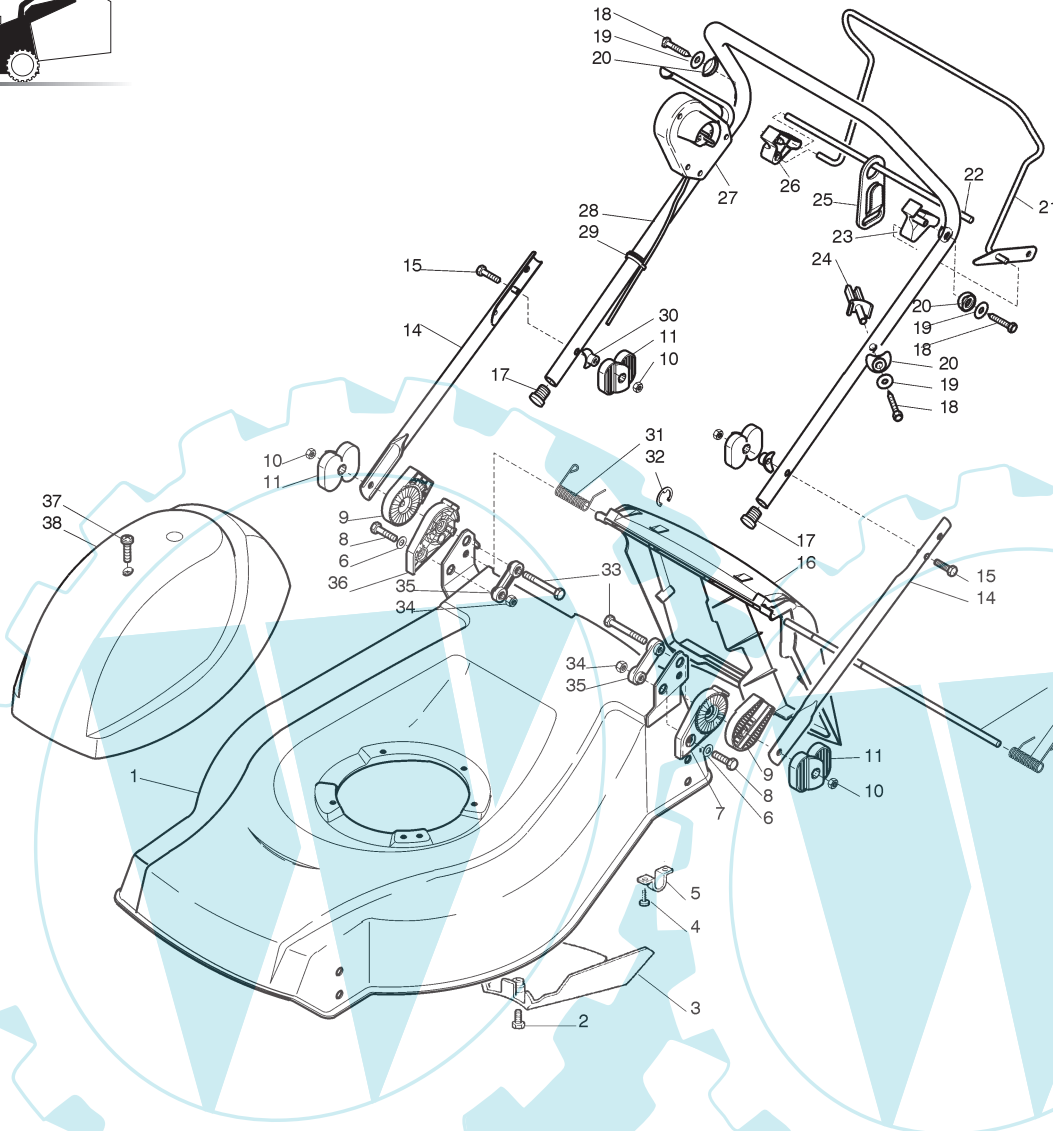


1



01D.051



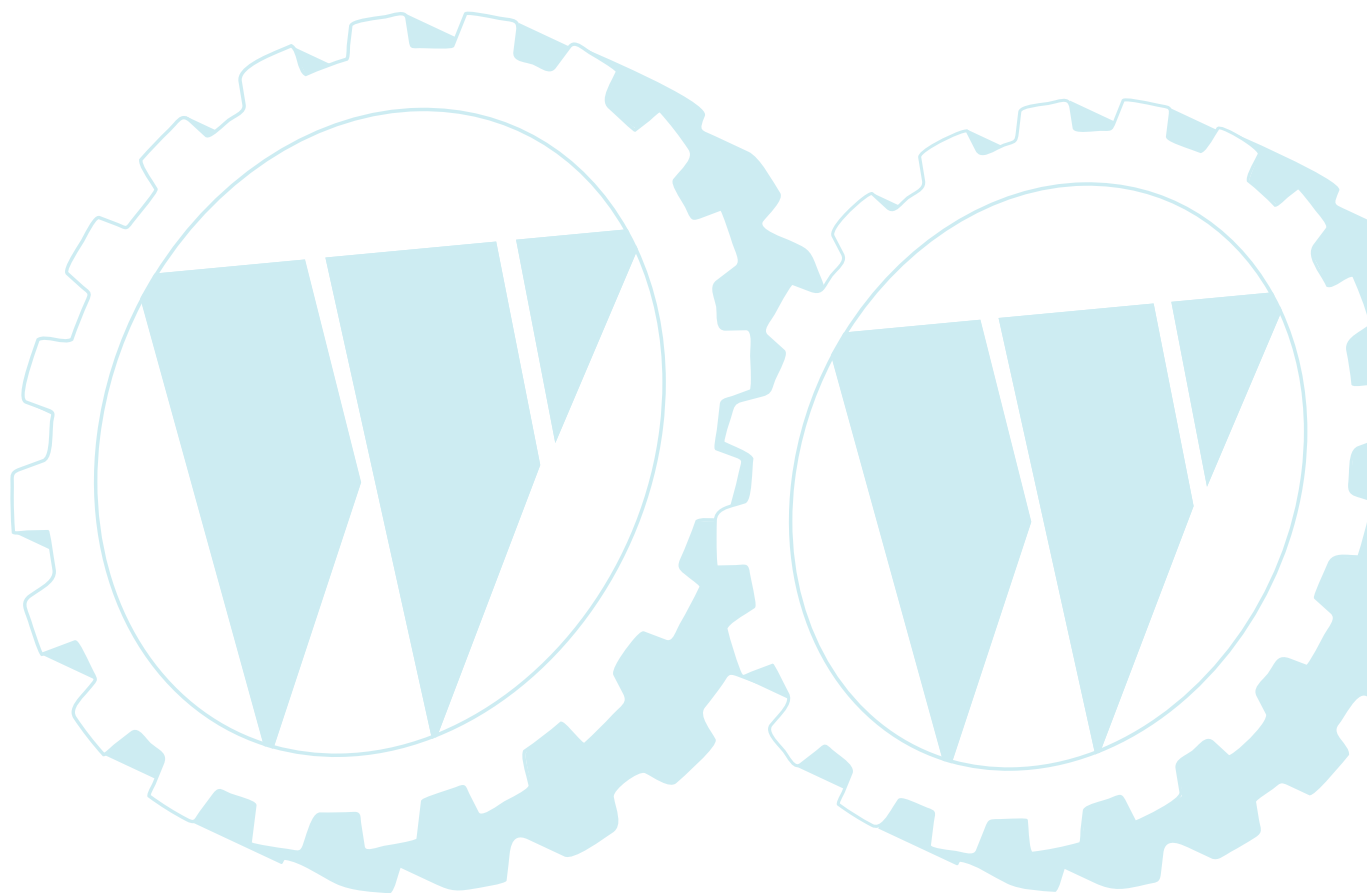
- H 350
- K 350
- K 390
- C 350
- C 390
- NG 410 / 410 S
- NG 460
- NG 414
- NG 464
- NG 464 TR
- NG 464 TR-E
- NG 504
- NG 504 TR
- NG 504 TR-E
- R 430 / 430 S
- R 480
- R 430 TR
- R 434
- R 484
- R 534
- R 484 TR / TR-E
- R 534 TR / TR-E
- RL 430 / 430 S
- RL 480
- RL 430 TR
- RL 434
- RL 484
- RL 534
- RL 484 TR
- RL 484 TR-E
- RL 534 TR
- RL 534 TR-E
- TD 430 / 430 S
- TD 480
- TD 430 TR
- TD 434
- TD 484
- TD 534
- TD 484 TR
- TD 484 TR-E
- TD 534 TR
- TD 534 TR-E
- TDL 430 / 430 S
- TDL 480
- TDL 430 TR
- TDL 434
- TDL 484
- TDL 534
- TDL 484 TR
- TDL 484 TR-E
- TDL 534 TR
- TDL 534 TR-E
- CA 430
- CA 480
- CA 434
- CA 484
- CA 534
- CA 430 TR
- CA 434 TR
- CA 484 TR / TR-E
- CA 534 TR / TR-E
- CAL 430
- CAL 480
- CAL 434
- CAL 484
- CAL 534
- CAL 430 TR
- CAL 434 TR
- CAL 484 TR / TR-E
- CAL 534 TR / TR-E
- T 430 / 430 S
- T 480
- T 434
- T 484
- T 484 TR
- T 484 TR-E
- PAN 504
- PAN 504 TR
- PAN 504 TR-E
- PAN 504 TR-E 3S
- PAN 504 TR 3S
- NP 534
- NP 534 TR
- NP 534 TR-E
- NP 534 TR 3S
- NP 534 TR-E 3S
- S 474 L

01T.052

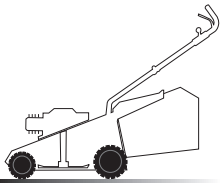
| Pos | Code        | Q.ty | Descrizione             | Description            | Description                  | Beschreibung         |
|-----|-------------|------|-------------------------|------------------------|------------------------------|----------------------|
| 1   | 81001901/ 0 | 1    | CHASSIS ROSSO           | DECK RED               | CHÂSSIS ROUGE                | GEHÄUSE ROTES        |
| -   | 81001902/ 0 | 1    | CHASSIS GIALLO          | DECK YELLOW            | CHÂSSIS JAUNE                | GEHÄUSE GELBES       |
| -   | 81001903/ 0 | 1    | CHASSIS VERDE           | DECK GREEN             | CHÂSSIS VERT                 | GEHÄUSE GRÜNES       |
| 2   | 12727791/ 0 | 1    | VITE                    | SCREW                  | VIS                          | SCHRAUBE             |
| 3   | 22060191/ 1 | 1    | CARTER CINGHIA          | PROTECTION, BELT       | PROTECTION COURROIRE         | SCHUTZ, RIEMEN       |
| 4   | 12731350/ 0 | 4    | VITE                    | SCREW                  | VIS                          | SCHRAUBE             |
| 5   | 22545152/ 0 | 2    | PIASTRINA               | PLATE                  | PLAQUETTE                    | PLATTE               |
| 6   | 12521350/ 0 | 2    | RONDELLA                | WASHER                 | RONDELLE                     | SCHEIBE              |
| 7   | 22785083/ 1 | 1    | SUPPORTO INTERNO SX     | SUPPORT, LEFT INTERNAL | SUPPORT INTERNE GAUCHE       | HALTER, INNERE LINKS |
| 8   | 12793701/ 0 | 2    | VITE                    | SCREW                  | VIS                          | SCHRAUBE             |
| 9   | 22785081/ 0 | 2    | SUPPORTO ESTERNO        | SUPPORT, EXTERNAL      | SUPPORT EXTERNE              | HALTER, AUßERE       |
| 10  | 12293202/ 0 | 4    | DADO                    | NUT                    | ECROU                        | MUTTER               |
| 11  | 22399803/ 0 | 4    | MANOPOLINA              | KNOB                   | POIGNÉE                      | GRIFF                |
| 12  | 22450420/ 1 | 1    | MOLLA SX                | LEFT SPRING            | RESSORT GAUCHE               | LINKE FEDER          |
| 13  | 22517906/ 1 | 1    | PERNO                   | PIN                    | PIVOT                        | BOLZEN               |
| 14  | 81006975/ 0 | 2    | MANICO, PARTE INFERIORE | HANDLE, LOWER PART     | MANCHERON, PARTIE INFÉRIEURE | HOLM, UNTERTEIL      |
| 15  | 12819125/ 0 | 2    | VITE                    | SCREW                  | VIS                          | SCHRAUBE             |
| 16  | 22600063/ 0 | 1    | PARASASSI               | STONE-GUARD            | PARE-PIERRES                 | PRALLBLECH           |
| 17  | 18566112/ 0 | 2    | PUNTALE                 | CAP                    | BOUCHON                      | GUMMISTOPFEN         |
| 18  | 12735103/ 0 | 3    | VITE                    | SCREW                  | VIS                          | SCHRAUBE             |
| 19  | 12523040/ 0 | 3    | RONDELLA                | WASHER                 | RONDELLE                     | SCHEIBE              |
| 20  | 22680007/ 0 | 3    | RONDELLA                | WASHER                 | RONDELLE                     | SCHEIBE              |
| 21  | 81001245/ 0 | 1    | LEVA TRAZIONE           | LEVER, DRIVING         | LEVIER TRACTION              | HEBEL, ANTRIEB       |
| 22  | 22020320/ 0 | 1    | AGGANCIO FERMACAVO      | FAIRLEAD BEARING       | SUPPORT SERRECABLE           | KABELHALTER          |
| 23  | 22806519/ 0 | 1    | SUPPORTO SINISTRO       | SUPPORT, LEFT          | SUPPORT GAUCHE               | HALTER, LINKER       |
| 24  | 22806520/ 0 | 1    | SUPPORTO REGISTRO       | SUPPORT, ADJUSTER      | SUPPORT ECROU REG.           | HALTER, REGLER       |

|    |             |   |                         |                         |                              |                       |           |
|----|-------------|---|-------------------------|-------------------------|------------------------------|-----------------------|-----------|
| 25 | 22195101/ 1 | 1 | FERMACAVO               | FAIRLEAD                | FIXATION CABLE               | KABELBEFESTIGUNG      |           |
| 26 | 22806518/ 0 | 1 | SUPPORTO DESTRO         | SUPPORT, RIGHT          | SUPPORT DROITE               | HALTER, RECHTER       |           |
| 27 | 18710603/ 0 | 1 | SALVAMOTORE             | DEAD HAND SWITCH        | INT. MAIN MORTE              | TOT MANSCHALTER       | MM4A602MS |
| 28 | 81007038/ 0 | 1 | MANICO, PARTE SUPERIORE | HANDLE, UPPER PART      | MANCHERON, PARTIE SUPERIEURE | HOLM, OBERTEIL        |           |
| 29 | 22192000/ 1 | 1 | FASCETTA ANCORAGGIO     | ANCHOR CLAMP            | COLLIER ANCRAGE              | BOWDENZUGHALTER       |           |
| 30 | 22680006/ 1 | 2 | RONDELLA                | WASHER                  | RONDELLE                     | SCHIBE                |           |
| 31 | 22450410/ 1 | 1 | MOLLA DX                | RIGHT-SPRING            | RESSORT DROITE               | RECHTE FEDER          |           |
| 32 | 12000930/ 0 | 1 | ANELLO ELASTICO         | SNAP RING               | ANNEAU RESSORT               | SPRENGRING            |           |
| 33 | 12691810/ 0 | 2 | VITE                    | SCREW                   | VIS                          | SCHRAUBE              |           |
| 34 | 12155000/ 0 | 2 | DADO                    | NUT                     | ECROU                        | MUTTER                |           |
| 35 | 22551575/ 0 | 2 | PIASTRINA INTERNA       | PLATE, INSIDE           | PLAQUETTE INTERNE            | PLATTE, INNERE        |           |
| 36 | 22785082/ 0 | 1 | SUPPORTO INTERNO DX     | SUPPORT, RIGHT INTERNAL | SUPPORT INTERNE DROIT        | HALTER, INNERE RECHTS |           |
| 37 | 12728680/ 0 | 2 | VITE                    | SCREW                   | VIS                          | SCHRAUBE              |           |
| 38 | 22055058/ 0 | 1 | CAPOTTINA               | COVER                   | CAPOT                        | HAUBE                 |           |
| -  | 81008632/ 0 |   | DOTAZIONE VITERIA       | OUTFIT, SCREWS          | DOTATION VISSERIE            | SATZ, SCHRAUBEN       |           |

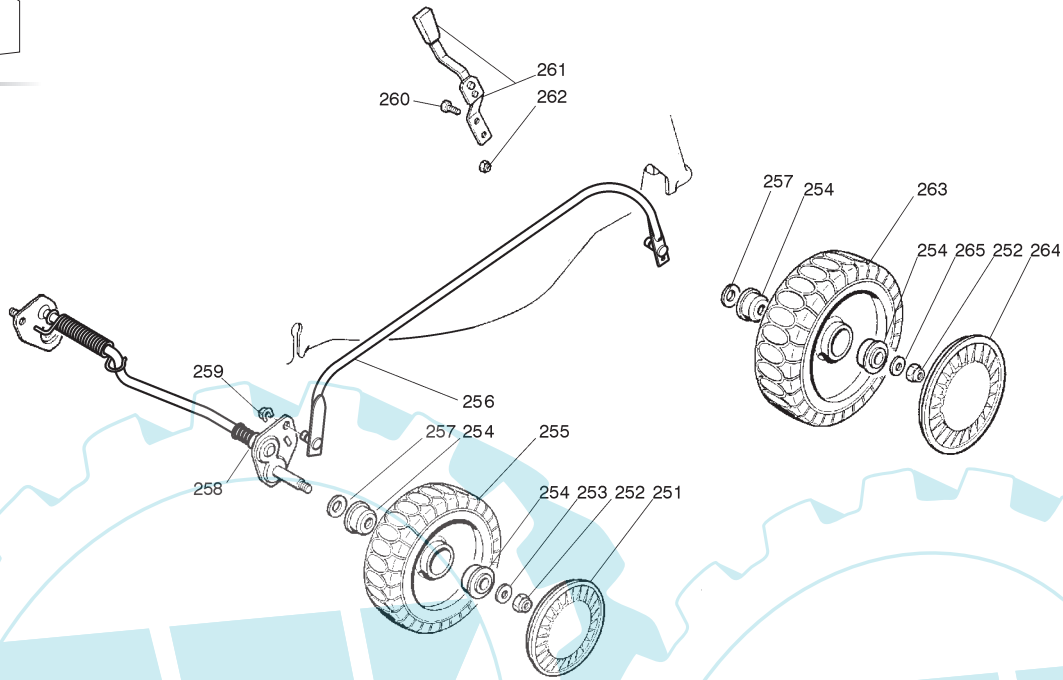
H 350  
K 350  
K 390  
C 350  
C 390  
NG 410 / 410 S  
NG 460  
NG 414  
NG 464  
NG 464 TR  
NG 464 TR-E  
NG 504  
NG 504 TR  
NG 504 TR-E  
R 430 / 430 S  
R 480  
R 430 TR  
R 434  
R 484  
R 534  
R 484 TR / TR-E  
R 534 TR / TR-E  
RL 430 / 430 S  
RL 480  
RL 430 TR  
RL 434  
RL 484  
RL 534  
RL 484 TR  
RL 484 TR-E  
RL 534 TR  
RL 534 TR-E  
TD 430 / 430 S  
TD 480  
TD 430 TR  
TD 434  
TD 484  
TD 534  
TD 484 TR  
TD 484 TR-E  
TD 534 TR  
TD 534 TR-E  
TDL 430 / 430 S  
TDL 480  
TDL 430 TR  
TDL 434  
TDL 484  
TDL 534  
TDL 484 TR  
TDL 484 TR-E  
TDL 534 TR  
TDL 534 TR-E  
CA 430  
CA 480  
CA 434  
CA 484  
CA 534  
CA 430 TR  
CA 434 TR  
CA 484 TR / TR-E  
CA 534 TR / TR-E  
CAL 430  
CAL 480  
CAL 434  
CAL 484  
CAL 534  
CAL 430 TR  
CAL 434 TR  
CAL 484 TR / TR-E  
CAL 534 TR / TR-E  
T 430 / 430 S  
T 480  
T 434  
T 484  
T 484 TR  
T 484 TR-E  
PAN 504  
PAN 504 TR  
PAN 504 TR-E  
PAN 504 TR-E 3S  
PAN 504 TR 3S  
NP 534  
NP 534 TR  
NP 534 TR-E  
NP 534 TR 3S  
NP 534 TR-E 3S  
S 474 L



## 2



02D.022



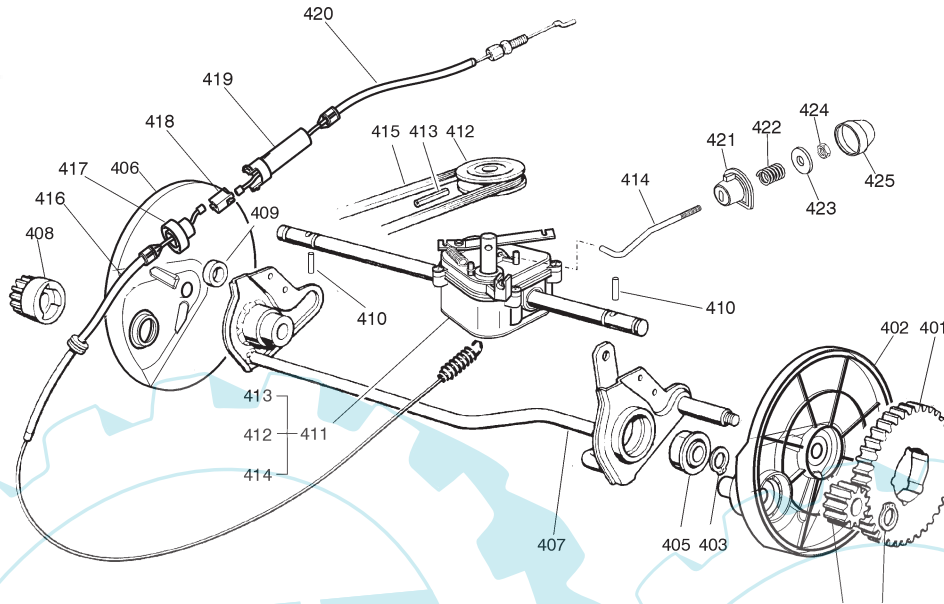
02T.030

| Pos | Code        | Q.ty | Descrizione              | Description              | Description             | Beschreibung            |
|-----|-------------|------|--------------------------|--------------------------|-------------------------|-------------------------|
| 251 | 22110282/ 0 | 2    | COPRIMOZZO BIANCO        | HUB CAP WHITE            | COUVRE-MOYEU BLANC      | RADKAPPE WEIßE          |
| -   | 22110288/ 0 | 2    | COPRIMOZZO GIALLO        | HUB CAP YELLOW           | COUVRE-MOYEU JAUNE      | RADKAPPE GELBE          |
| -   | 22110290/ 1 | 2    | COPRIMOZZO ROSSO         | HUB CAP RED              | COUVRE-MOYEU ROUGE      | RADKAPPE ROTE           |
| -   | 22110300/ 0 | 2    | COPRIMOZZO GRIGIO        | HUB CAP GREY             | COUVRE-MOYEU GRIS       | RADKAPPE GRAU           |
| 252 | 12155000/ 0 | 4    | DADO                     | NUT                      | ECROU                   | MUTTER                  |
| 253 | 12521350/ 0 | 2    | RONDELLA                 | WASHER                   | RONDELLE                | SCHEIBE                 |
| 254 | 22122200/ 0 | 8    | CUSCINETTO               | BEARING                  | COUSSINET               | LAGER                   |
| 255 | 81007336/ 0 | 2    | RUOTA SCOLPITA Ø 170     | WHEEL, KNOBBLY Ø 170     | ROUE SCULPTEE Ø 170     | RAD M. STOLLENPR. Ø 170 |
| 256 | 81006481/ 1 | 1    | ASTA                     | ROD                      | TIGE                    | STANGE                  |
| 257 | 12530150/ 0 | 4    | RONDELLA ELASTICA        | ELASTIC WASHER           | RONDELLE ELASTIQUE      | ELASTISCHE SCHEIBE      |
| 258 | 81000145/ 0 | 1    | ASSE RUOTE ANTERIORE     | AXLE, FRONT WHEELS       | AXE ROUES AVANT         | ACHSE, VORDERRAD        |
| 259 | 12436050/ 0 | 2    | PIASTRINA                | PLATE                    | PLAQUETTE               | PLATTCHEN               |
| 260 | 12789000/ 0 | 2    | VITE                     | SCREW                    | VIS                     | SCHRAUBE                |
| 261 | 81003283/ 1 | 1    | LEVA REGOLAZIONE ALTEZZA | LEVER, HEIGHT ADJUSTMENT | LEVIER, REGLAGE HAUTEUR | HEBEL, HÖHEVERSTELLUNG  |
| 262 | 12154330/ 0 | 2    | DADO                     | NUT                      | ECROU                   | MUTTER                  |
| 263 | 81007337/ 0 | 2    | RUOTA SCOLPITA Ø 210     | WHEEL, KNOBBLY Ø 210     | ROUE SCULPTEE Ø 210     | RAD M. STOLLENPR. Ø 210 |
| 264 | 22110281/ 0 | 2    | COPRIMOZZO BIANCO        | HUB CAP WHITE            | COUVRE-MOYEU BLANC      | RADKAPPE WEIßE          |
| -   | 22110287/ 0 | 2    | COPRIMOZZO GIALLO        | HUB CAP YELLOW           | COUVRE-MOYEU JAUNE      | RADKAPPE GELBE          |
| -   | 22110289/ 0 | 2    | COPRIMOZZO ROSSO         | HUB CAP RED              | COUVRE-MOYEU ROUGE      | RADKAPPE ROTE           |
| -   | 22110301/ 0 | 2    | COPRIMOZZO GRIGIO        | HUB CAP GREY             | COUVRE-MOYEU GRIS       | RADKAPPE GRAU           |
| 265 | 12530150/ 0 | 2    | RONDELLA ELASTICA        | ELASTIC WASHER           | RONDELLE ELASTIQUE      | ELASTISCHE SCHEIBE      |

- H 350
- K 350
- K 390
- C 350
- C 390
- NG 410 / 410 S
- NG 460
- NG 414
- NG 464
- NG 464 TR
- NG 464 TR-E
- NG 504
- NG 504 TR
- NG 504 TR-E
- R 430 / 430 S
- R 480
- R 430 TR
- R 434
- R 484
- R 534
- R 484 TR / TR-E
- R 534 TR / TR-E
- RL 430 / 430 S
- RL 480
- RL 430 TR
- RL 434
- RL 484
- RL 534
- RL 484 TR
- RL 484 TR-E
- RL 534 TR
- RL 534 TR-E
- TD 430 / 430 S
- TD 480
- TD 430 TR
- TD 434
- TD 484
- TD 534
- TD 484 TR
- TD 484 TR-E
- TD 534 TR
- TD 534 TR-E
- TDL 430 / 430 S
- TDL 480
- TDL 430 TR
- TDL 434
- TDL 484
- TDL 534
- TDL 484 TR
- TDL 484 TR-E
- TDL 534 TR
- TDL 534 TR-E
- CA 430
- CA 480
- CA 434
- CA 484
- CA 534
- CA 430 TR
- CA 434 TR
- CA 484 TR / TR-E
- CA 534 TR / TR-E
- CAL 430
- CAL 480
- CAL 434
- CAL 484
- CAL 534
- CAL 430 TR
- CAL 434 TR
- CAL 484 TR / TR-E
- CAL 534 TR / TR-E
- T 430 / 430 S
- T 480
- T 434
- T 484
- T 484 TR
- T 484 TR-E
- PAN 504
- PAN 504 TR
- PAN 504 TR-E
- PAN 504 TR-E 3S
- PAN 504 TR 3S
- NP 534
- NP 534 TR
- NP 534 TR-E
- NP 534 TR 3S
- NP 534 TR-E 3S
- S 474 L

## 3

03D.002

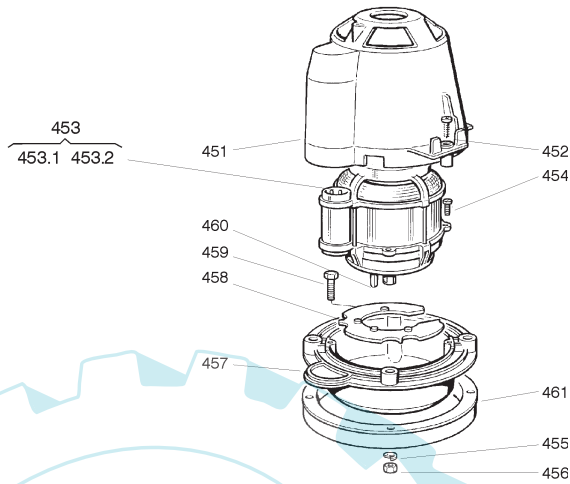
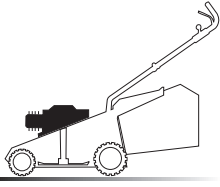


03T.002

| Pos | Code        | Q.ty | Descrizione                     | Description             | Description                         | Beschreibung          |
|-----|-------------|------|---------------------------------|-------------------------|-------------------------------------|-----------------------|
| 401 | 22120105/ 1 | 2    | CORONA                          | RING GEAR               | COURONNE                            | KRANZ                 |
| 402 | 22600092/ 0 | 1    | PROTEZIONE RUOTE SINISTRA       | PROTECTION, LEFT WHEEL  | PROTECTION ROUE GAUCHE              | SCHÜTZ, LINKES RÄDER  |
| 403 | 12608600/ 0 | 4    | SEEGER                          | SEEGER                  | SEEGER                              | SEEGER                |
| 404 | 22570120/ 1 | 1    | PIGNONE SINISTRO                | PINION LEFT             | PIGNON GAUCHE                       | RITZEL LINKES         |
| 405 | 19216035/ 0 | 2    | CUSCINETTO                      | BEARING                 | COUSSINET                           | LAGER                 |
| 406 | 22600093/ 0 | 1    | PROTEZIONE RUOTE DESTRA         | PROTECTION, RIGHT WHEEL | PROTECTION ROUE DROITE              | SCHÜTZ, RECHTES RÄDER |
| 407 | 81000147/ 0 | 1    | ASSE RUOTE POSTERIORE           | AXLE, REAR WHEELS       | AXE ROUES ARRIERE                   | ACHSE, HINTERRAD      |
| 408 | 22570110/ 1 | 1    | PIGNONE DESTRO                  | PINION RIGHT            | PIGNON DROITE                       | RITZEL RECHTES        |
| 409 | 22170800/ 0 | 1    | DISTANZIALE                     | SPACER                  | ENTRETOISE                          | DISTANZRING           |
| 410 | 22753000/ 0 | 2    | SPINA                           | PIN                     | GOUPILLE                            | STIFT                 |
| 411 | 81003060/ 1 | 1    | GRUPPO TRAZIONE (ALLUMINIO)     | GEAR BOX (ALUMINIUM)    | GROUPE TRACTION (ALUMINIUM)         | ANTRIEB (ALUMINIUM)   |
| -   | 81003059/ 0 | 1    | GRUPPO TRAZIONE (PLASTICA)      | GEAR BOX (PLASTIC)      | GROUPE TRACTION (PLASTIQUE)         | ANTRIEB (KUNSTSTOFF)  |
| 412 | 22001904/ 0 | 1    | PULEGGIA                        | PULLEY                  | POULIE                              | RIEMENSCHLEIBE        |
| 413 | 12645705/ 0 | 1    | SPINA                           | PIN                     | GOUPILLE                            | STIFT                 |
| 414 | 22033280/ 0 | 1    | ASTA REGOLAZIONE                | ADJUSTMENT ROD          | TIGE REGLAGE                        | VERSTELLUNGSTANGE     |
| 415 | 35063710/ 0 | 1    | CINGHIA Z 25                    | BELT Z 25               | COURROIE Z 25                       | RIEMEN Z 25           |
| 416 | 81001138/ 0 | 1    | CAVO COMANDO TRAZIONE INFERIORE | CABLE, REAR DRIVE LOWER | CÂBLE, COMMANDE TRACTION INFERIEURE | KABEL, ANTRIEB UNTER  |
| 417 | 22246031/ 0 | 1    | GIUNZIONE INFERIORE             | LOWER JOINT             | CONNECTION INFÉRIEUR                | VERBINDUNG OBEN       |
| 418 | 22042040/ 0 | 1    | BUSSOLA ISOLAMENTO              | ISOLATION COMPASS       | BOUSSOLE DE ISOLEMENT               | ABSONDERUNG KOMPAS    |
| 419 | 22246030/ 0 | 1    | GIUNZIONE SUPERIORE             | UPPER JOINT             | CONNECTION SUPÉRIEUR                | VERBINDUNG UNTER      |
| 420 | 81001150/ 0 | 1    | CAVO COMANDO TRAZIONE SUPERIORE | CABLE, REAR DRIVE UPPER | CÂBLE, COMMANDE TRACTION SUPERIEURE | KABEL, ANTRIEB OBER   |
| 421 | 22041957/ 0 | 1    | BUSSOLA                         | BUSH                    | DOUILLE                             | BUCHSE                |
| 422 | 22450063/ 0 | 1    | MOLLA                           | SPRING                  | RESSORT                             | FEDER                 |
| 423 | 22680009/ 0 | 1    | RONDELLA                        | WASHER                  | RONDELLE                            | SCHEIBE               |
| 424 | 12154510/ 0 | 1    | DADO                            | NUT                     | ECROU                               | MUTTER                |
| 425 | 22110230/ 0 | 1    | TAPPO                           | CAP                     | BOUCHON                             | GUMMISTOPFEN          |

- H 350
- K 350
- K 390
- C 350
- C 390
- NG 410 / 410 S
- NG 460
- NG 414
- NG 464
- NG 464 TR
- NG 464 TR-E
- NG 504
- NG 504 TR
- NG 504 TR-E
- R 430 / 430 S
- R 480
- R 430 TR
- R 434
- R 484
- R 534
- R 484 TR / TR-E
- R 534 TR / TR-E
- RL 430 / 430 S
- RL 480
- RL 430 TR
- RL 434
- RL 484
- RL 534
- RL 484 TR
- RL 484 TR-E
- RL 534 TR
- RL 534 TR-E
- TD 430 / 430 S
- TD 480
- TD 430 TR
- TD 434
- TD 484
- TD 534
- TD 484 TR
- TD 484 TR-E
- TD 534 TR
- TD 534 TR-E
- TDL 430 / 430 S
- TDL 480
- TDL 430 TR
- TDL 434
- TDL 484
- TDL 534
- TDL 484 TR
- TDL 484 TR-E
- TDL 534 TR
- TDL 534 TR-E
- CA 430
- CA 480
- CA 434
- CA 484
- CA 534
- CA 430 TR
- CA 434 TR
- CA 484 TR / TR-E
- CA 534 TR / TR-E
- CAL 430
- CAL 480
- CAL 434
- CAL 484
- CAL 534
- CAL 430 TR
- CAL 434 TR
- CAL 484 TR / TR-E
- CAL 534 TR / TR-E
- T 430 / 430 S
- T 480
- T 434
- T 484
- T 484 TR
- T 484 TR-E
- PAN 504
- PAN 504 TR
- PAN 504 TR-E
- PAN 504 TR-E 3S
- PAN 504 TR 3S
- NP 534
- NP 534 TR
- NP 534 TR-E
- NP 534 TR 3S
- NP 534 TR-E 3S
- S 474 L

# 4



04D.002

04T.001

| Pos   | Code        | Q.ty | Descrizione               | Description              | Description               | Beschreibung             |
|-------|-------------|------|---------------------------|--------------------------|---------------------------|--------------------------|
| 451   | 22785061/ 0 | 1    | SUPPORTO CAPOTTINA        | SUPPORT, COVER           | SUPPORT CAPOT             | HALTER, HAUBE            |
| 452   | 12728710/ 0 | 4    | VITE                      | SCREW                    | VIS                       | SCHRAUBE                 |
| 453.1 | 18740049/ 0 | 1    | VENTOLA PER MOTORE IBME   | FAN IBMEI MOTOR          | VENTILATEUR IBMEI MOTEUR  | LÜFTER IBMEI MOTOR       |
| 453   | 18563070/ 1 | 1    | MOTORE IBMEI 1600W (230V) | IBMEI MOTOR 1600W (230V) | MOTEUR IBMEI 1600W (230V) | MOTOR IBMEI 1600W (230V) |
| 453.2 | 18222038/ 0 | 1    | CONDENSATORE 20 µF        | CONDENSER 20 µF          | CONDENSEUR 20 µF          | KONDENSATOR 20 µF        |
| 454   | 12735410/ 0 | 4    | VITE                      | SCREW                    | VIS                       | SCHRAUBE                 |
| 455   | 12583500/ 0 | 4    | GROWER                    | GROWER                   | GROWER                    | FEDERRING                |
| 456   | 12293200/ 0 | 4    | DADO                      | NUT                      | ECROU                     | MUTTER                   |
| 457   | 22207211/ 3 | 1    | FLANGIA                   | FLANGE                   | BRIDE                     | FLANSCH                  |
| 458   | 22720360/ 1 | 1    | SCHERMO VENTILAZIONE      | VENTILATION SCREEN       | ECRAN VENTILATION         | LÜFTUNGSSCHIRM           |
| 459   | 12691800/ 0 | 4    | VITE (M8X60)              | SCREW (M8X60)            | VIS (M8X60)               | SCHRAUBE (M8X60)         |
| 460   | 12139440/ 0 | 1    | LINGUETTA                 | FEATHER                  | CLAVETTE                  | KEIL                     |
| 461   | 81003471/ 0 | 1    | DISTANZIALE               | SPACER                   | ENTRETOISE                | DISTANZRING              |

- H 350
- K 350
- K 390
- C 350
- C 390
- NG 410 / 410 S
- NG 460
- NG 414
- NG 464
- NG 464 TR
- NG 464 TR-E
- NG 504
- NG 504 TR
- NG 504 TR-E
- R 430 / 430 S
- R 480
- R 430 TR
- R 434
- R 484
- R 534
- R 484 TR / TR-E
- R 534 TR / TR-E
- RL 430 / 430 S
- RL 480
- RL 430 TR
- RL 434
- RL 484
- RL 534
- RL 484 TR
- RL 484 TR-E
- RL 534 TR
- RL 534 TR-E
- TD 430 / 430 S
- TD 480
- TD 430 TR
- TD 434
- TD 484
- TD 534
- TD 484 TR
- TD 484 TR-E
- TD 534 TR
- TD 534 TR-E
- TDL 430 / 430 S
- TDL 480
- TDL 430 TR
- TDL 434
- TDL 484
- TDL 534
- TDL 484 TR
- TDL 484 TR-E
- TDL 534 TR
- TDL 534 TR-E
- CA 430
- CA 480
- CA 434
- CA 484
- CA 534
- CA 430 TR
- CA 434 TR
- CA 484 TR / TR-E
- CA 534 TR / TR-E
- CAL 430
- CAL 480
- CAL 434
- CAL 484
- CAL 534
- CAL 430 TR
- CAL 434 TR
- CAL 484 TR / TR-E
- CAL 534 TR / TR-E
- T 430 / 430 S
- T 480
- T 434
- T 484
- T 484 TR
- T 484 TR-E
- PAN 504
- PAN 504 TR
- PAN 504 TR-E
- PAN 504 TR-E 3S
- PAN 504 TR 3S
- NP 534
- NP 534 TR
- NP 534 TR-E
- NP 534 TR 3S
- NP 534 TR-E 3S
- S 474 L

# 1

# 2

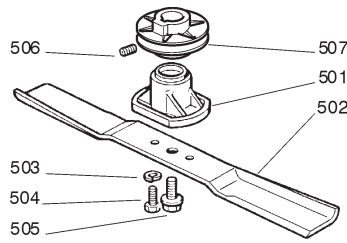
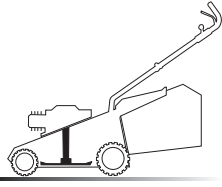
# 3

# 4

# 5

# 6

# 5



06D.001

06T.007

| Pos | Code        | Q.ty | Descrizione       | Description    | Description   | Beschreibung          |
|-----|-------------|------|-------------------|----------------|---------------|-----------------------|
| 501 | 22463186/ 2 | 1    | MOZZO             | HUB            | MOYEU         | HALTER                |
| 502 | 81004341/ 2 | 1    | COLTELLO STANDARD | BLADE STANDARD | LAME STANDARD | MESSER STANDARD 41 cm |
| 502 | 81004396/ 0 | 1    | COLTELLO ALETTATO | BLADE WINGED   | LAME AILETTÉE | MESSER FLÜGEL 41 cm   |
| 503 | 12583500/ 0 | 2    | GROWER            | GROWER         | GROWER        | FEDERRING             |
| 504 | 12793101/ 0 | 2    | VITE              | SCREW          | VIS           | SCHRAUBE              |
| 505 | 81004352/ 0 | 1    | VITE              | SCREW          | VIS           | SCHRAUBE              |
| 506 | 12713801/ 0 | 1    | GRANO             | DOWEL          | GRAIN         | STIFT                 |
| 507 | 22601911/ 0 | 1    | PULEGGIA          | PULLEY         | POUILE        | RIEMENSCHIBE          |

- H 350
- K 350
- K 390
- C 350
- C 390
- NG 410 / 410 S
- NG 460
- NG 414
- NG 464
- NG 464 TR
- NG 464 TR-E
- NG 504
- NG 504 TR
- NG 504 TR-E
- R 430 / 430 S
- R 480
- R 430 TR
- R 434
- R 484
- R 534
- R 484 TR / TR-E
- R 534 TR / TR-E
- RL 430 / 430 S
- RL 480
- RL 430 TR
- RL 434
- RL 484
- RL 534
- RL 484 TR
- RL 484 TR-E
- RL 534 TR
- RL 534 TR-E
- TD 430 / 430 S
- TD 480
- TD 430 TR
- TD 434
- TD 484
- TD 534
- TD 484 TR
- TD 484 TR-E
- TD 534 TR
- TD 534 TR-E
- TDL 430 / 430 S
- TDL 480
- TDL 430 TR
- TDL 434
- TDL 484
- TDL 534
- TDL 484 TR
- TDL 484 TR-E
- TDL 534 TR
- TDL 534 TR-E
- CA 430
- CA 480
- CA 434
- CA 484
- CA 534
- CA 430 TR
- CA 434 TR
- CA 484 TR / TR-E
- CA 534 TR / TR-E
- CAL 430
- CAL 480
- CAL 434
- CAL 484
- CAL 534
- CAL 430 TR
- CAL 434 TR
- CAL 484 TR / TR-E
- CAL 534 TR / TR-E
- T 430 / 430 S
- T 480
- T 434
- T 484
- T 484 TR
- T 484 TR-E
- PAN 504
- PAN 504 TR
- PAN 504 TR-E
- PAN 504 TR-E 3S
- PAN 504 TR 3S
- NP 534
- NP 534 TR
- NP 534 TR-E
- NP 534 TR 3S
- NP 534 TR-E 3S
- S 474 L

1

2

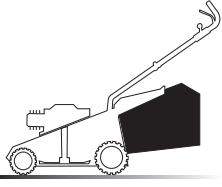
3

4

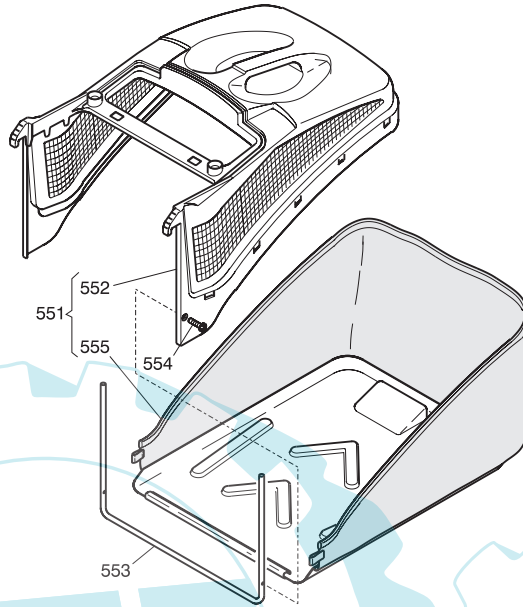
5

6

# 6



06D.003



06T.003

| Pos | Code       | Q.ty | Descrizione            | Description           | Description            | Beshreibung        |
|-----|------------|------|------------------------|-----------------------|------------------------|--------------------|
| 551 | 9100010/0  | 1    | SACCO COMPLETO         | GRASS-BOX, COMPLETE   | BAC COMPLET            | KORB, KOMPLETTE    |
| 552 | 22486086/0 | 1    | SACCO, PARTE SUPERIORE | GRASS-BOX, UPPER PART | SAC, PARTIE SUPERIEURE | KORB, OBERTEIL     |
| 553 | 22608523/1 | 1    | RINFORZO INFERIORE     | STIFFENING LOWER      | RÉNFORCEMENT INFÉRIEUR | VERSTÄRKUNG UNTERE |
| 554 | 12728445/0 | 1    | VITE                   | SCREW                 | VIS                    | SCHRAUBE           |
| 555 | 81002180/0 | 1    | SACCO, TELA            | BOX, FABRIC           | SAC, TOILE             | SACK, TUCK         |

- H 350
- K 350
- K 390
- C 350
- C 390
- NG 410 / 410 S
- NG 460
- NG 414
- NG 464
- NG 464 TR
- NG 464 TR-E
- NG 504
- NG 504 TR
- NG 504 TR-E
- R 430 / 430 S
- R 480
- R 430 TR
- R 434
- R 484
- R 534
- R 484 TR / TR-E
- R 534 TR / TR-E
- RL 430 / 430 S
- RL 480
- RL 430 TR
- RL 434
- RL 484
- RL 534
- RL 484 TR
- RL 484 TR-E
- RL 534 TR
- RL 534 TR-E
- TD 430 / 430 S
- TD 480
- TD 430 TR
- TD 434
- TD 484
- TD 534
- TD 484 TR
- TD 484 TR-E
- TD 534 TR
- TD 534 TR-E
- TDL 430 / 430 S
- TDL 480
- TDL 430 TR
- TDL 434
- TDL 484
- TDL 534
- TDL 484 TR
- TDL 484 TR-E
- TDL 534 TR
- TDL 534 TR-E
- CA 430
- CA 480
- CA 434
- CA 484
- CA 534
- CA 430 TR
- CA 434 TR
- CA 484 TR / TR-E
- CA 534 TR / TR-E
- CAL 430
- CAL 480
- CAL 434
- CAL 484
- CAL 534
- CAL 430 TR
- CAL 434 TR
- CAL 484 TR / TR-E
- CAL 534 TR / TR-E
- T 430 / 430 S
- T 480
- T 434
- T 484
- T 484 TR
- T 484 TR-E
- PAN 504
- PAN 504 TR
- PAN 504 TR-E
- PAN 504 TR-E 3S
- PAN 504 TR 3S
- NP 534
- NP 534 TR
- NP 534 TR-E
- NP 534 TR 3S
- NP 534 TR-E 3S
- S 474 L

1

2

3

4

5

6